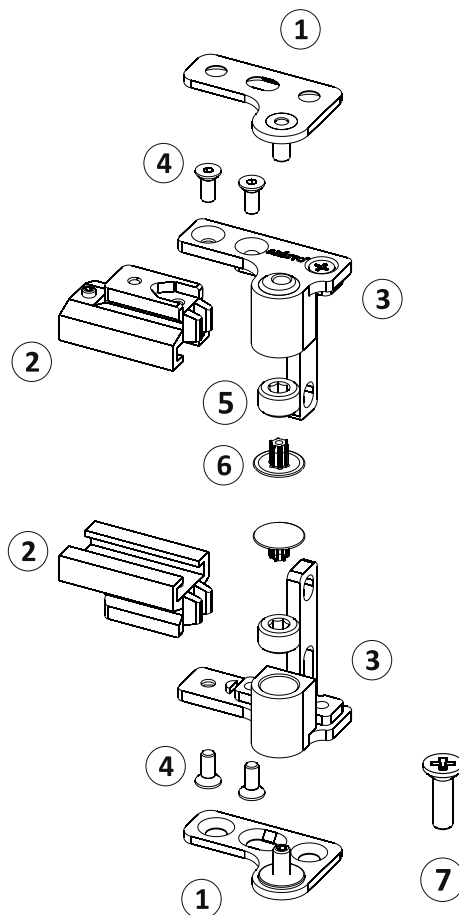
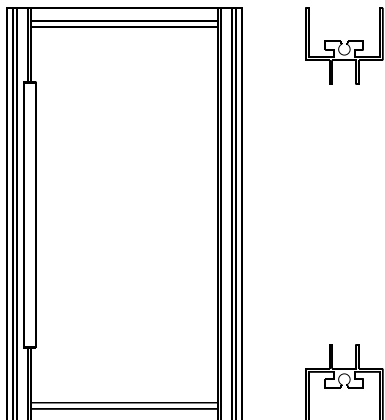


ARÍSTO[®]

aluminium
profile system

**Pivot adjustable 4IN1
Installation Instruction**

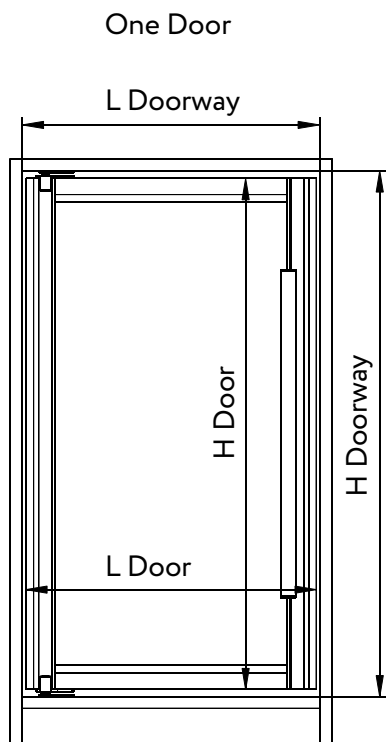
Top Rail is used in the door for both top and bottom frame.



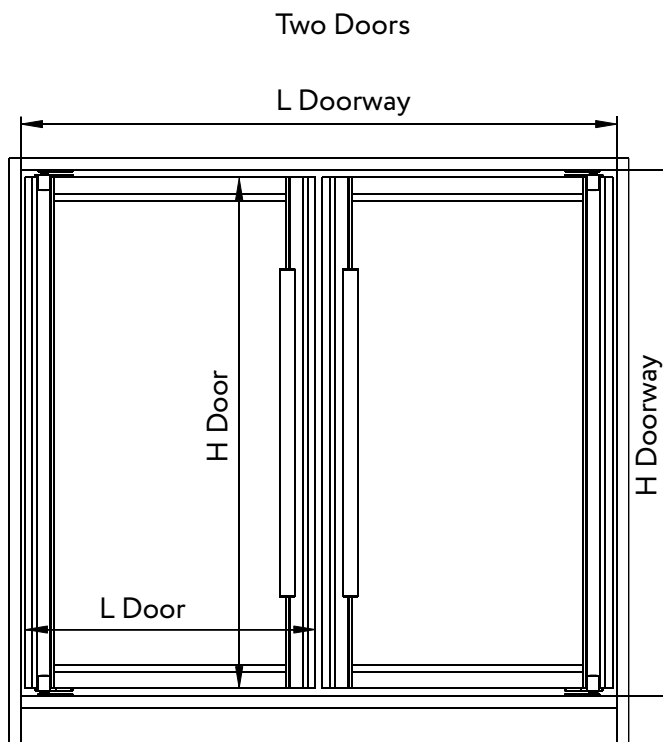
One set includes:

- 1. Pivot System Base
- 2. Attachment Element for Horizontal Rail
- 3. Attachment Element for Stile
- 4. Screw - 4 pcs.
- 5. Lock-nut - 2 pcs.
- 6. Hole Cover - 2 pcs.
- 7. Euroscrew - 6 pcs.

Calculation of the Door Sizes



$$L \text{ Door} = L \text{ Doorway} - 10 \text{ mm}$$

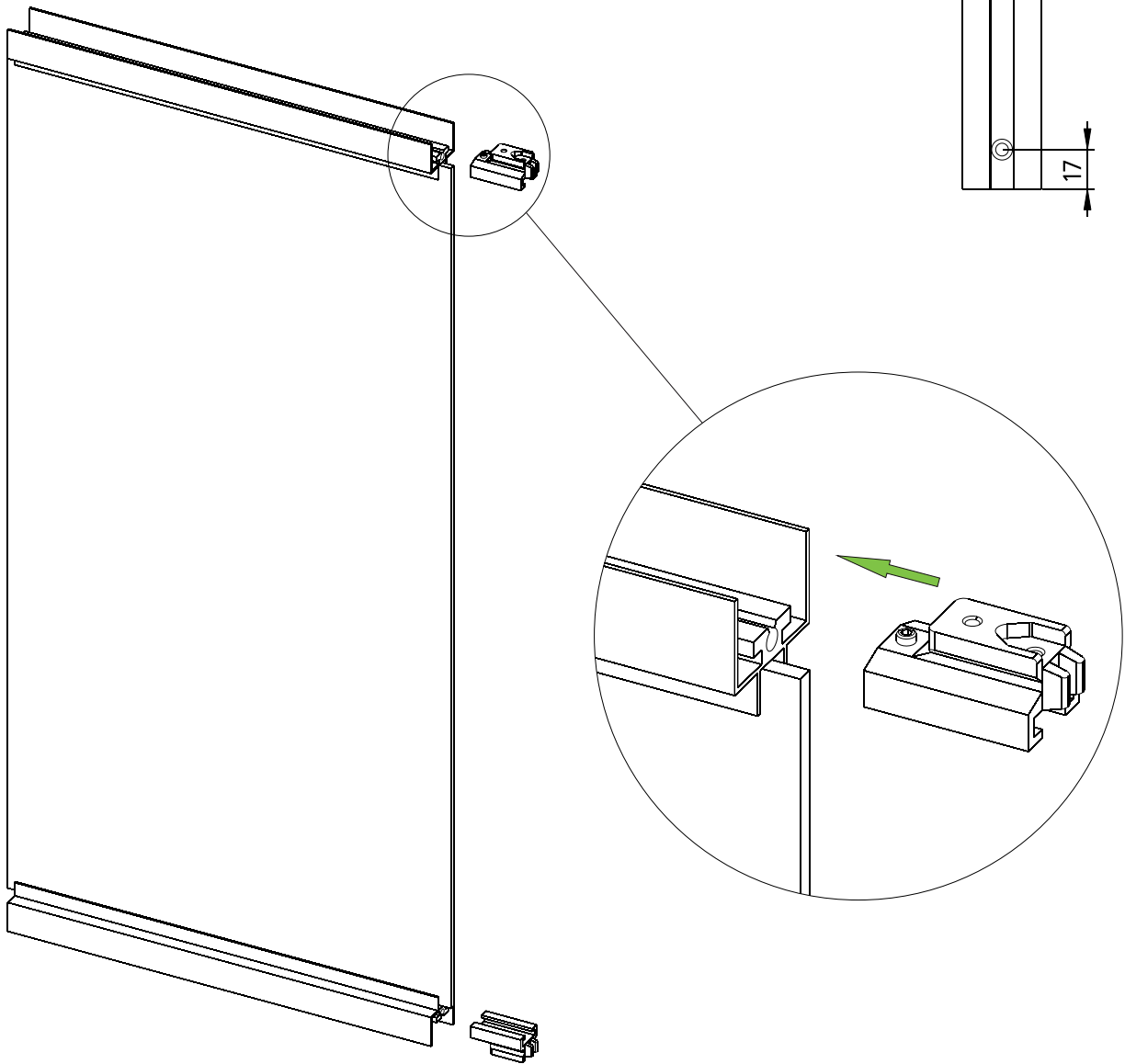
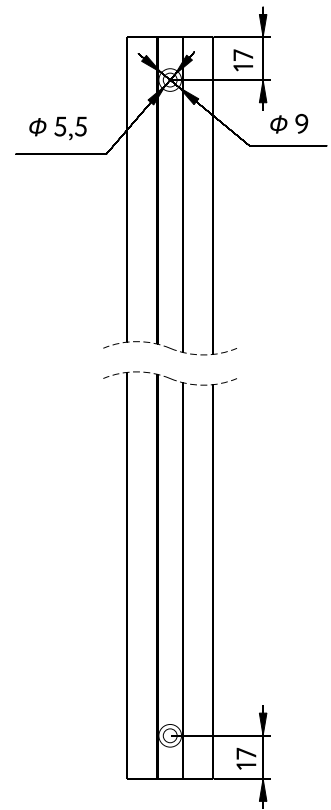


$$L \text{ Door} = L \text{ Doorway} - 20 \text{ mm}$$

$$H \text{ Door} = H \text{ Doorway} - 20 \text{ mm}$$

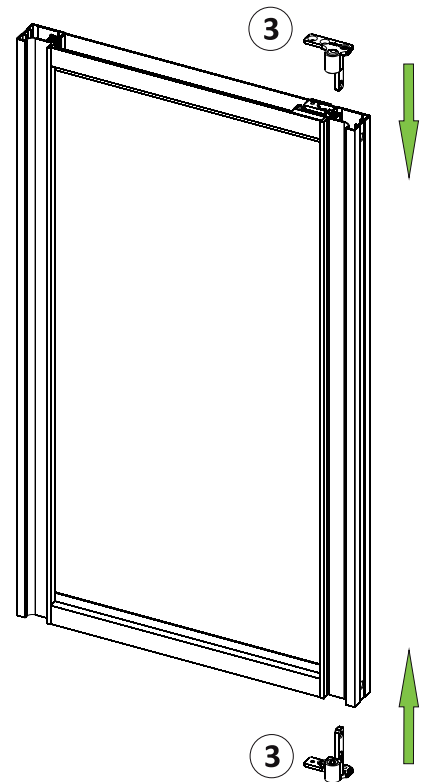
Step 1.

Install the attachment elements (2) inside of the top and bottom Rail.



Step 2.

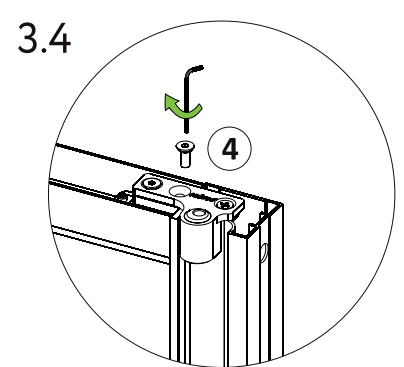
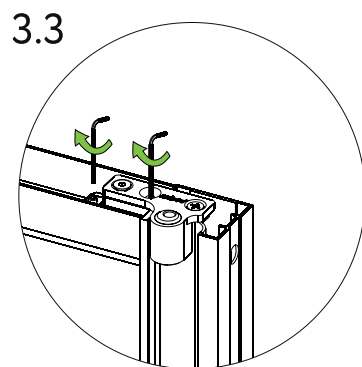
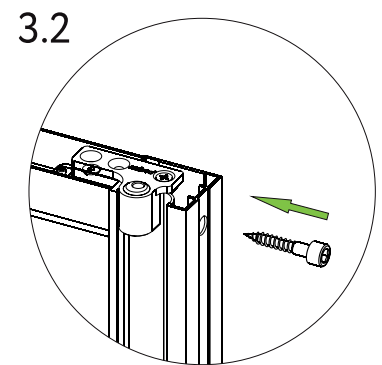
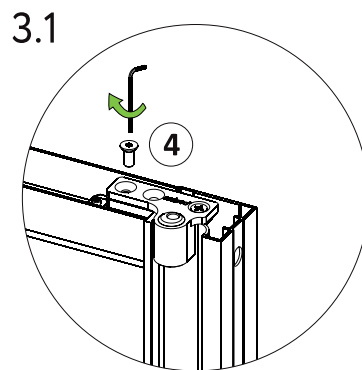
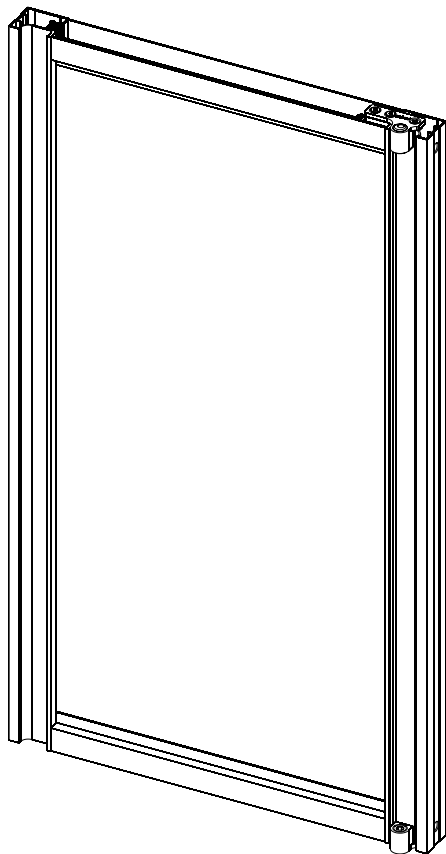
Install the attachment elements (3) inside of the Stile.

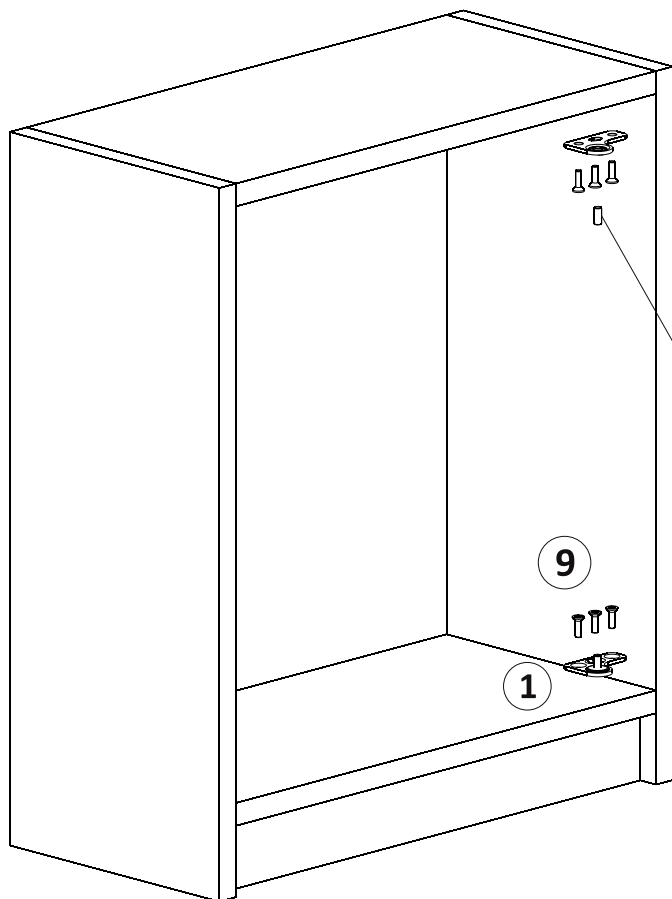


Step 3.

Fix the attachment elements (2) and (3).

- 3.1. Connect both attachment elements (2) and (3) with the screw (4).
- 3.2. Tighten Stile and horizontal Rail with the screw.
- 3.3. Fix the attachment element in the horizontal frame using two allen keys.
- 3.4. Connect both attachment elements using the second screw (4).





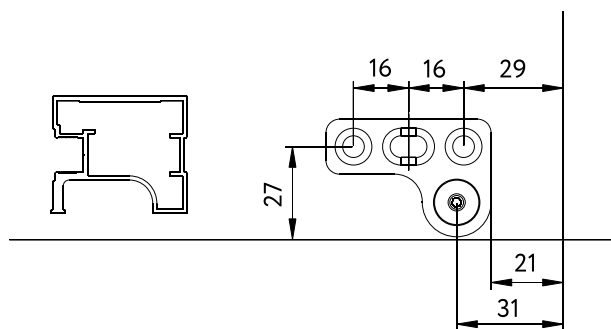
Step 4.

Install top and bottom pivot system base (1) in a cabinet or doorway. Unscrew the axis from the top Base using an allen key. For installation in a cabinet use euroscrews from the set.

Axis

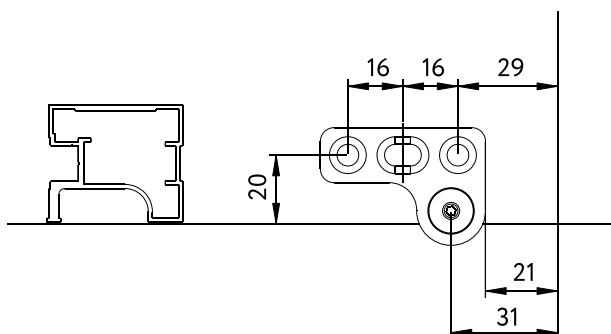
Option 1

(the door with the mechanism does not protrude the doorway dimension)



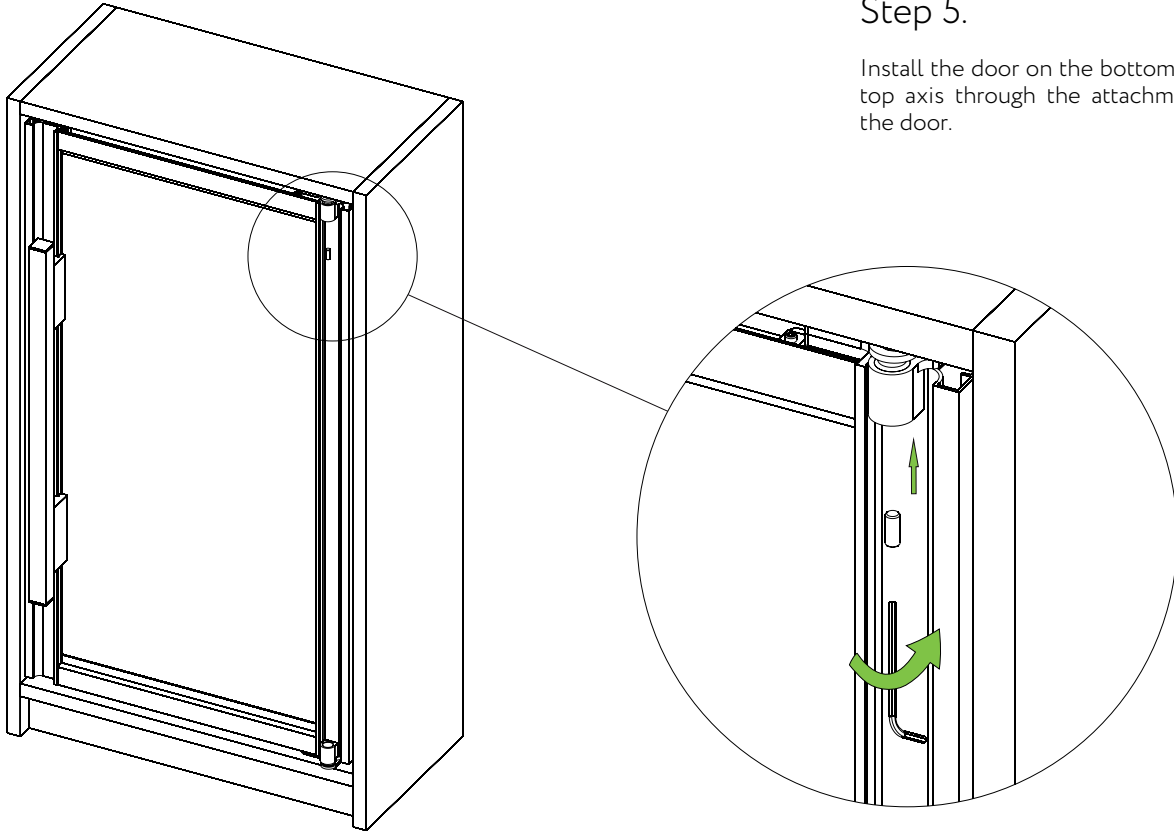
Option 2

(profile in one plane with the doorway)



Step 5.

Install the door on the bottom axis and fix the top axis through the attachment element of the door.



Step 6.

Adjust the door in three dimensions with an Allen key by turning the eccentric inside the attachment elements (3). After adjustment, tighten the lock-nuts (5) in the attachment element and install the hole covers (6).

